

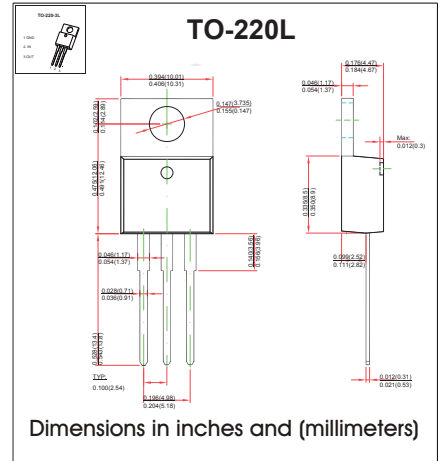
Three-terminal positive voltage regulator

**FEATURES**

- Maximum output current IOM: 1.5 A
- Output voltageVO: -12V
- Continuous total dissipation  
 $P_D: 1.5 W ( T_a = 25 ^\circ C )$

**MECHANICAL DATA**

- Case: TO-220 Small Outline Plastic Package
- Polarity: Color band denotes cathode end
- Mounting Position: Any



**ABSOLUTE MAXIMUM RATINGS**

(Operating temperature range applies unless otherwise specified)

Parameter	Symbol	Value	Unit
Input Voltage	$V_i$	-35	V
Thermal Resistance from Junction to Air	$R_{\theta JA}$	83.3	$^\circ C/W$
Operating Junction Temperature Range	$T_{OPR}$	0~+150	$^\circ C$
Storage Temperature Range	$T_{STG}$	-65~+150	$^\circ C$

**ELECTRICAL CHARACTERISTICS AT SPECIFIED VIRTUAL JUNCTION TEMPERATURE**

( $V_i = -19V, I_o = 500mA, C_i = 2.2\mu F, C_o = 1\mu F$ , unless otherwise specified )

Parameter	Symbol	Test conditions	Min	Typ	Max	Unit
Output Voltage	$V_o$	$25^\circ C$	-11.52	-12	-12.48	V
		$-14.5V \leq V_i \leq -27V, I_o = 5mA - 1A$	0-125 $^\circ C$	-11.4	-12	-12.6
Load Regulation	$\Delta V_o$	$I_o = 5mA - 1.5A$	25 $^\circ C$	15	200	mV
		$I_o = 250mA - 750mA$	25 $^\circ C$	5	75	mV
Line Regulation	$\Delta V_o$	$-14.5V \leq V_i \leq -30V$	25 $^\circ C$	5	80	mV
		$-16V \leq V_i \leq -22V$	25 $^\circ C$	3	30	mV
Quiescent Current	$I_q$	25 $^\circ C$		2	3	mA
Quiescent Current Change	$\Delta I_q$	$-14.5V \leq V_i \leq -30V$	0-125 $^\circ C$		0.5	mA
		$5mA \leq I_o \leq 1A$	0-125 $^\circ C$		0.5	mA
Output Noise Voltage	$V_N$	10Hz $\leq f \leq$ 100KHz	25 $^\circ C$	300		$\mu V/V_o$
Output Voltage Drift	$\Delta V_o / \Delta T$	$I_o = 5mA$	0-125 $^\circ C$	-0.8		mV/ $^\circ C$
Ripple Rejection	RR	$-15V \leq V_i \leq -25V, f = 120Hz$	0-125 $^\circ C$	54	60	dB
Dropout Voltage	$V_d$	$I_o = 1A$	25 $^\circ C$	1.1		V
Peak Current	$I_{pk}$	25 $^\circ C$		2.1		A

\* Pulse test.

**TYPICAL APPLICATION**

